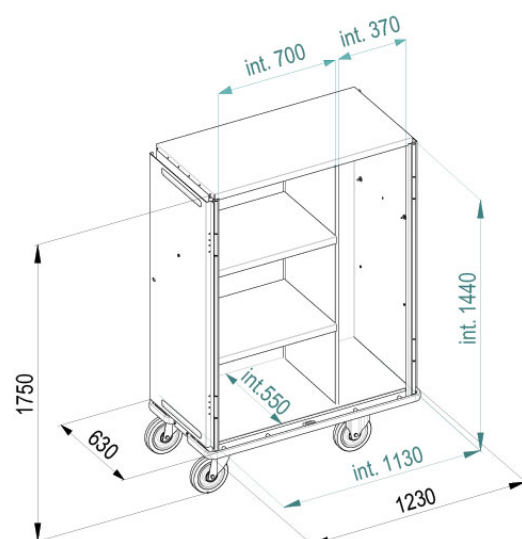


N204DV

Ideal for transport of clean linen, steril sets and overalls.



Structure realised with anodised light alloy plate, integrated with tubular and profiles in light alloy.

Body of the trolley composed by a unique piece of plate without junctions. Patented system of edge bending towards the outside, with door hinges which turn during the closing phase on the integrated gasket. Continuous vertical hinges along the whole length of the trolley. Strong anti-torsion chassis in rectangular tubular of galvanised steel, surrounded by a rigid bumper in light alloy with integrated PVC profile.

Doors open at 270° with a magnet blocking system for the open position. Door closing guaranteed by two stainless steel vertical half rods, which block at the top and bottom. Shelves fixed rigidly on nylon supports, anyway folding and removable. Horizontal pull handles fixed on both headings. Wheels in full grey anti-mark rubber with stainless steel cage roller.

Inside equipped with vertical partition placed at 1/3 of the length with cross bar at the top of one part and 2 equidistant shelves on the larger side.

| Internal Height | Internal Width | Internal Depth | External Height | External Width | External Depth | Position | Ring Size | Diameter Wheels |
|-----------------|----------------|----------------|-----------------|----------------|----------------|----------|-----------|-----------------|
| 1440 | 1130 | 550 | 1750 | 1230 | 630 | B | 0 | 200 |