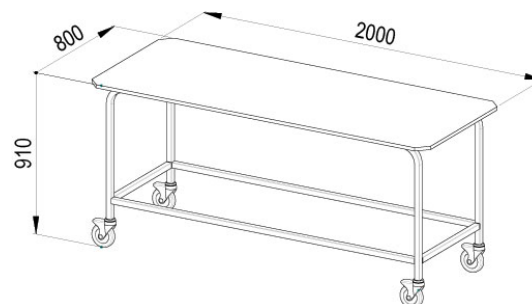


## 191SM/2

Suitable principally for linen transport inside industrial laundries, hospitals or care homes.



Complete trolley in light alloy plate anodised after trolley finishing. Ground frame structure built with profiles in light alloy.

Work / packing table for linen. Structure in varnished steel blue RAL 5015. N.2 shelves in laminated wood.

Internal Height	Internal Width	Internal Depth	External Height	External Width	External Depth	Position	Ring Size	Diameter Wheels
0	0	0	910	2000	800	D	0	125