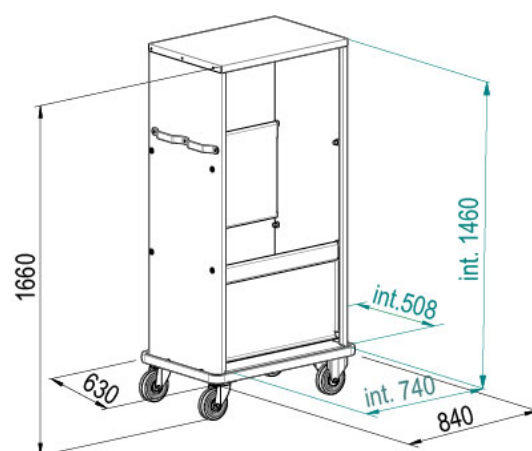


871/10

Ideal for transport of clean linen, steril sets and overalls.



Structure realised with anodised light alloy plate, integrated with tubular and profiles in light alloy.

Body of the trolley composed by a unique piece of plate without junctions. Patented system of edge bending towards the outside, with door hinges which turn during the closing phase on the integrated gasket. Continuous vertical hinges along the whole length of the trolley. Strong anti-torsion chassis in rectangular tubular of galvanised steel, surrounded by a rigid bumper in light alloy with integrated PVC profile.

Doors open at 270° with a magnet blocking system for the open position. Door closing guaranteed by two stainless steel vertical half rods, which block at the top and bottom. Shelves fixed rigidly on nylon supports, anyway folding and removable. Horizontal pull handles fixed on both headings. Wheels in full grey anti-mark rubber with stainless steel cage roller.

Suitable for transport of soiled and clean linen, after regular washing and cleaning. Equipped with 2 hinged shelves, placed in horizontal position for clean linen loading, or in vertical position for dirty linen bags loading.

Internal Height	Internal Width	Internal Depth	External Height	External Width	External Depth	Position	Ring Size	Diameter Wheels
1460	740	580	1660	840	630	B	0	125