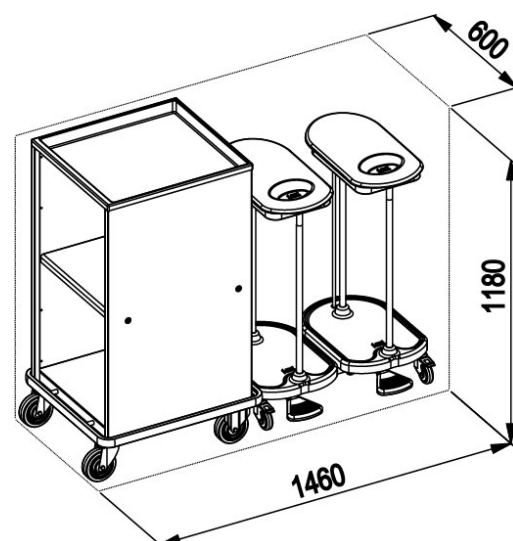


251.2

Designed for linen replacement service in hospital wards.



The section which contains the clean linen is completely separated from the dirty linen containers. Access to the shelves is on the opposite side of the bag holder in order to avoid contact between the two parts. The trolley consists of a cupboard in light anodized alloy plate, available with or without door. The internal compartment is provided with an intermediate shelf. The upper part is made of ABS plastic, with 50 mm rim.

A basic frame provides the structure that supports one or two LBC bag holders.

Model 251 is equipped with four 125 mm diam. wheels while LBC models have two 80 mm diam. wheels, all made of non marking grey rubber.

Composed of model 251 and 2 bag holders LBC.

Internal Height	Internal Width	Internal Depth	External Height	External Width	External Depth	Position	Ring Size	Diameter Wheels
0	0	0	1180	1460	600	D	350x255	125